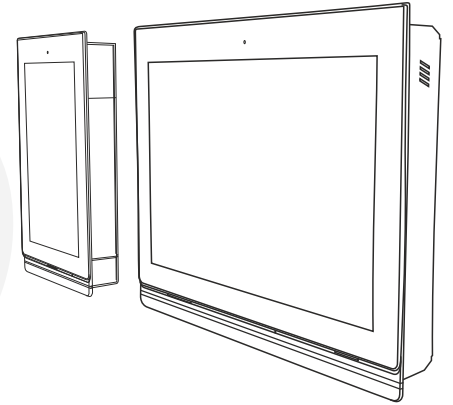


## EOZ TOUCH PANEL

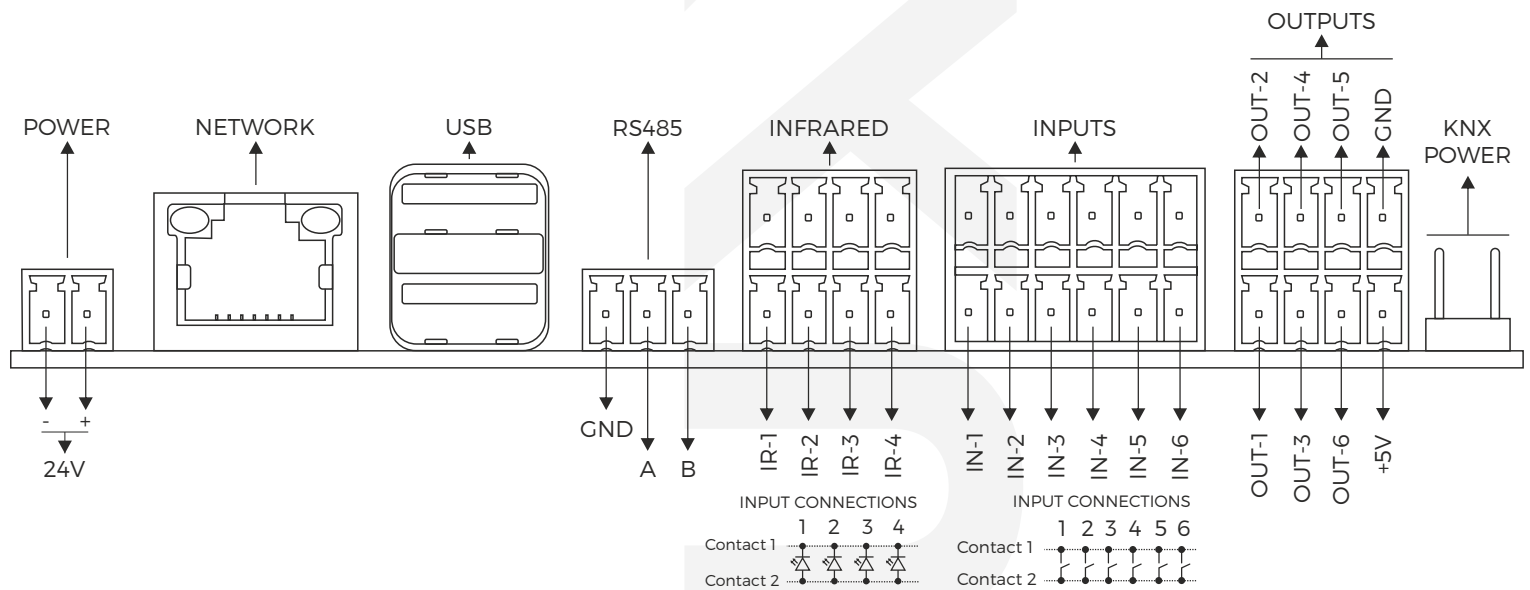
MODELS:  
LXT - 10 - 10.1" T.P  
LXT - 70 - 7" T.P



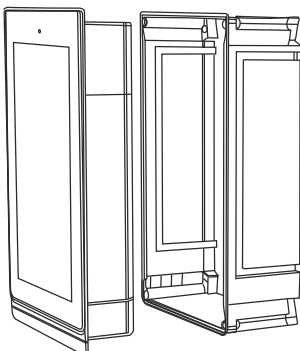
The I-Luxus capacitive touch screen EOZ with 7" and 10.1" is build for all smart devices communication with KNX. Lighting, shutter/blind and HVAC operations; intercom, concierge services, timer, scenarios, weather forecast, announcements, sensors and alarm objects are supported. EOZ panel brings conveniences to your complex world.

### PRODUCT CHARACTERISTICS

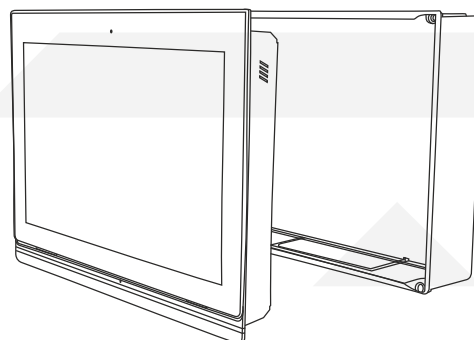
- ▶ 7" and 10.1" capacitive touch panel
- ▶ 6 dry contact inputs
- ▶ 3 or 6 Outputs DC 5V (Optional)
- ▶ 4 Infrared LED Outputs
- ▶ RS 485 Output
- ▶ 1x USB HOST/OTG
- ▶ Ethernet connection 100 Gbit/s
- ▶ Wi-Fi 150 Mbps
- ▶ Complete data saving in case of power failure
- ▶ Android6 operating system
- ▶ Built in microphone and speakers
- ▶ Lighting, air-conditioning, heating/cooling, valves, shutter/blind, intercom, concierge services, timer, scenarios, weather forecast, security sensors, alarms, IP cameras, SIP video door phone properties
- ▶ Conformity with the CE



7 INCH TOUCH PANEL

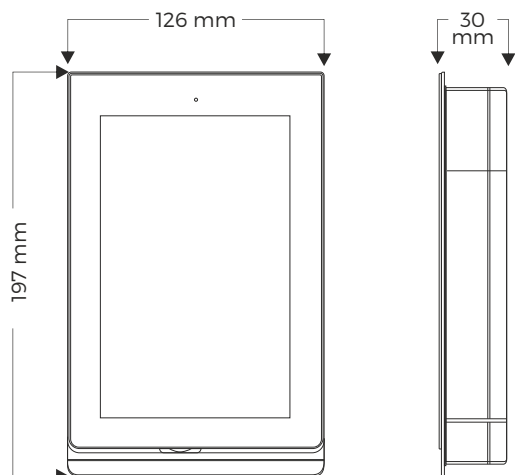


10.1 INCH TOUCH PANEL

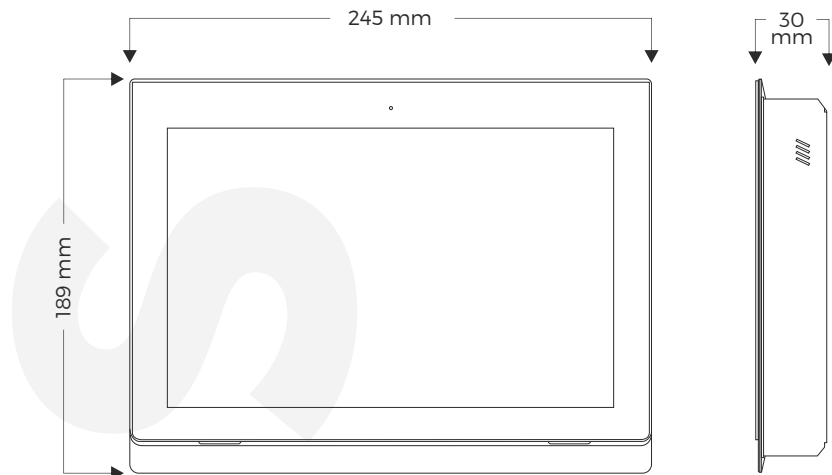


## SCALE DRAWINGS

### 7 INCH TOUCH PANEL



### 10.1 INCH TOUCH PANEL



## TECHNICAL DATA

|                         |   |   |
|-------------------------|---|---|
| Type of protection      | IP 20                                       | EN 60529  |
| Product Detail          | KNX Touch Panel                             |   |
| Processor               | Quad-core Cortex™ -A53                      |   |
| Operating System        | Android6                                    |   |
| Memory                  | 8GB e.MMC                                   |   |
| Audio                   | 2X2W speaker                                |   |
|                         | Noise cancelling microphone                 |   |
|                         | Power Consumption                           | < 20 W  |
| Display                 | Type  | TFT   |
|                         | Resolution                                  | 1024X600 for 7" (LXP-370-000)<br>1280X800 for 10.1" (LXP-310-000)   |
| Mounting Position       | 7" (LXP-370-000)                            | Vertical  |
|                         | 10.1" (LXP-310-000)                         | Horizontal  |
| Output                  | Number                                      | 3 or 6 (optional)   |
|                         | Nominal switching capacity (resistive load) | 5A 277VAC   |
|                         | Max. Switching power (resistive load)       | 1.385VA   |
|                         | Max. Switching voltage                      | 277VAC  |
|                         | Max. Switching current                      | 5A  |
| Output Connection       | Conductor Cross Section                     | 0.2-1.5 mm <sup>2</sup> solid<br>0.2-1.5 mm <sup>2</sup> stranded   |
|                         | Wire strip length                           | 4-5 mm  |
|                         | Max. torque                                 | 0.14 Nm   |
| Input                   | Number                                      | 6   |
|                         | State                                       | Dry contact   |
|                         | Scanning voltage                            | 5 V pulsed  |
|                         | Current                                     | 1 mA  |
|                         | Cable length                                | <50m  |
| Input Connection        | Conductor Cross Section                     | 0.2 - 1.5 mm <sup>2</sup> solid<br>0.2 - 1.5 mm <sup>2</sup> flexible<br>0.25 - 1.5 mm <sup>2</sup> flexible, with ferrule without plastic sleeve<br>0.25 - 0.75 mm <sup>2</sup> flexible, with ferrule with plastic sleeve<br>0.8mm <sup>2</sup> Ø, solid core |
| KNX Connection          | KNX Bus connection terminal                 |   |
| Wi-Fi Connection        | 150 Mbps High Speed                         |   |
| Infrared Connection     | 4 Independent Infrared Connections          | M20 Male Connector  |
| Rs485 Connection        | RS 485 Connector                            |   |
| USB Connection          | Standard                                    | 2.0   |
|                         | Number                                      | 2   |
|                         | Connection                                  | 4-Pin Male USB Socket   |
| Ethernet/PoE Connection | RJ-45 socket connection                     |   |
| Temperature Range       | Operation                                   | (-5...+45)  |
|                         | Storage                                     | (-20...+70)   |
| Installation            | Flush Mount                                 |   |
| Humidity                | Maximum air humidity                        | 85% no moisture condensation  |
| Box                     | Metal bending                               |   |
| Flammability            | Non-flammable product                       |   |
| Dimensions              | (7") LXP-370-000                            | L:126 x W:197 x H:30 mm   |
|                         | (10.1") LXP-310-000                         | L:245 x W:189 x H:30 mm   |
| Weight                  | (7") LXP-370-000                            |   |
|                         | (10.1") LXP-310-000                         |   |
| Certification           | CE Certified                                |   |